

LEGUÁN®

Versatile and reliable
self-propelled access platforms.



Reach the Next Level.

PART OF
AVANT
GROUP

Leguan Lifts.

LEGUAN LIFTS specializes in designing and manufacturing reliable and technologically advanced self-propelled access platforms. Leguan has a long tradition in this field; the first self-propelled access platform with outriggers was introduced in 1994. Leguan Lifts is part of the fast-growing Avant Tecno Group from Finland.

Every spider lift is designed with extraordinary all-terrain capabilities and robust boom structure, which makes Leguans versatile and fit for any access job. Leguans are built to withstand all climates from the heat and humidity of Florida to the freezing cold winters of Minnesota. In recent years, Leguan Lifts has completely restructured their product selection introducing many unseen features and the most user-friendly interface to date.



LEGUAN LIFTS maintains close relationships with major customers and international distributors to ensure the highest standard of customer satisfaction and product development process. As a member of IPAF, Leguan Lifts promotes the safe and effective use of MEWPs worldwide.



Versatile.

Leguan spider lifts are known for their exceptional off-road capabilities, and industry-leading gradeability. Sturdy track chassis with leading ground clearance and travel speeds ensure rapid transitioning through snow or mud. The fuel-efficient combustion engine and silent electric operation makes Leguan a great fit for both inside and outside use, and the compact size makes transportation easy.

Intuitive and user-friendly.

Advanced hydraulic design allows smooth and simultaneous boom movements, which makes it easy to maneuver Leguans in narrow places and maintain distance to walls. The new Leguan spider lifts are equipped with user-friendly features such as automatic leveling that allows effortless outrigger leveling with just a single push of a button, even on challenging terrain.

Next generation features.

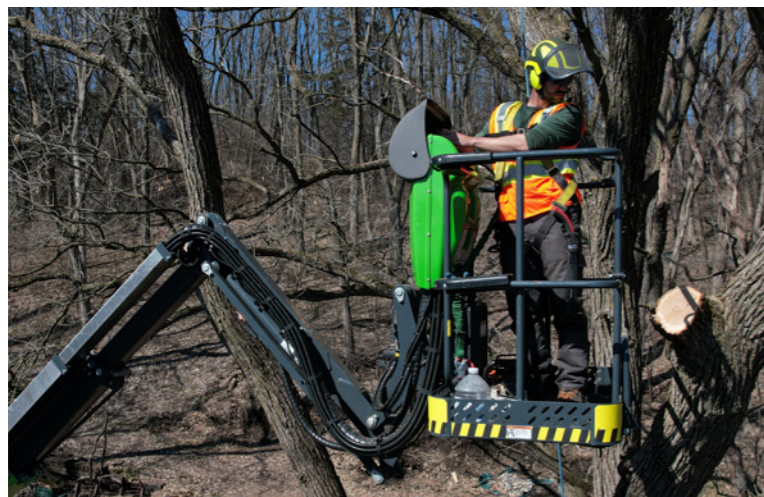
Both the safety features and the proportional outreach monitoring system are controlled by a modern PLC that ensures the highest standard of safety combined with unrivalled outreach in all situations. Leguan Lifts lead the way with superior industrial design, numerous technological innovations and smart energy saving functions, which provide Leguans with high resale values over time.



Leguan customers.

WE LISTEN TO our customers and work in close collaboration with our distributors in the design work of our spider lifts. Customers who trust in Leguan spider lifts report that thanks to our equipment they can work faster and take on more projects. Read what else our customers think about us and watch the video interviews in in the news section of our website.

Tree care company, USA



”

WE ARE doing jobs we couldn't do without the machine. Whether it be trees that are unsafe to climb, or tight places, things that we just couldn't handle climbing ourselves. Now we can get to almost anything with the lift.

Rental company, Norway



”

IT IS simply so efficient to use, as it is fast to setup, disassemble and versatile in use. A normal two-day job will be done in a day, if the customer chooses to use a Leguan.

Industries.

LEGUAN LIFTS manufactures self-propelled access platforms that are used by rental companies, arborists, housing and renovation companies, electrical installation companies and construction professionals around the world. The cornerstones of our design are unmatched all-terrain capabilities, ease of use and smart technological innovations.



Tree care

Premium all-terrain capabilities and sturdy booms make Leguan a perfect choice for arborists. Leguan spider lifts are used for clearing electric lines and removal of trees all around the globe from the United States all the way to Australia. Our customers tell us that their work has become more efficient and safer as they are able use Leguan spider lifts to reach targets that have previously required climbing.

Rental industry

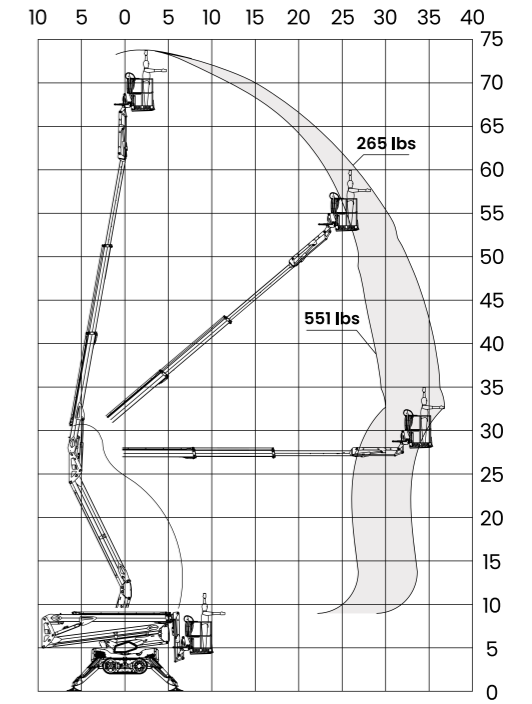
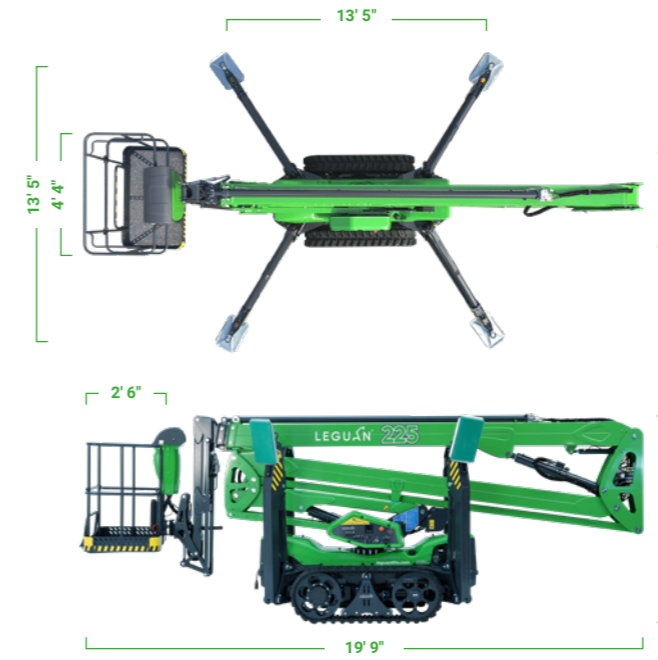
Leguan access platforms make great rental lifts thanks to their versatility, high utilization rate and excellent performance in any weather. In Nordic conditions, spider lifts are normally used from early spring to late autumn, but Leguans can be used year-round. We placed a special emphasis in intuitive and easy controls in the design of our next-generation Leguan spider lifts.

Spider lifts.

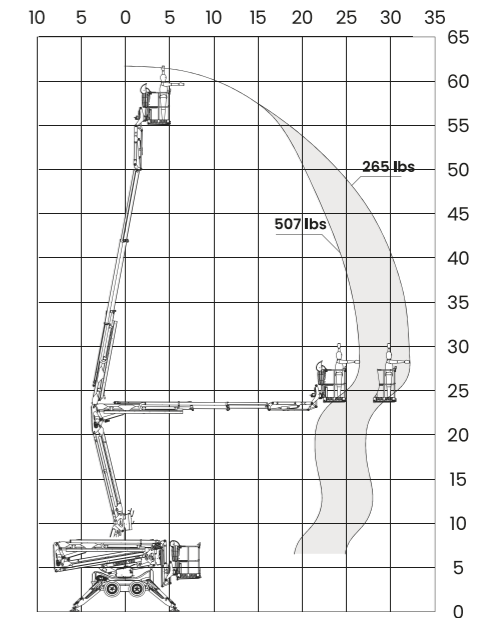
LEGUAN product line consists of self-propelled access platforms or spider lifts that are designed both for indoor and outdoor use. You can choose how to equip your Leguan from vast selection of accessories and transport your Leguan easily with a lightweight trailer.



225



190



Leguan 225.



225

Leguan 225.

225

74 ft
max. working height

37 ft
max. side reach

550 lbs
max. lift capacity

All-terrain spider lift with unrivaled performance.

INDUSTRY-LEADING all-terrain capabilities, a high-profile track platform and fast driving speeds make the next-generation Leguan 225 a perfect choice for even the most demanding environments. The spider lift's boom is designed to maximize side reach even at high working heights, and a smart control interface guarantees quick and smooth movements.

Thanks to our user-friendly joystick controls, controlling the boom structure is steady and simultaneous movements come naturally. The Leguan 225's smart features reduce malfunctions and increase efficiency so that you can focus on the project at hand. The boom is shielded from external blows, falling branches and sawdust, making the 225 a great choice for arborists and construction workers alike.



Standard features.

- 21 hp Kubota diesel engine
- Automatic engine RPM control
- Automatic levelling of the outriggers
- Proportional outreach monitoring system
- Electric rotation of the platform
- JIB-boom with 120-degree operating range
- 12 V power outlet on platform
- Battery powered emergency lowering system
- Lower controls with integrated service display
- Signal horn

Optional features.

- 110 V electric motor
- 110 V and USB power outlets on platform
- Remote control for driving and outriggers
- LED spot lights for platform
- Tool trays on platform
- Outrigger beacons
- Hose to platform (air/water)
- Engine heater
- Non-marking tracks
- Narrow single person platform
- Leguan special trailer

Technical features.

Max. lift capacity	550 lbs (2 persons)
Max. working height	74'
Max. platform height	67' 3"
Max. outreach	29' 10" (550 lbs) – 36' 9" (265 lbs)
Transport dimensions, L x W x H	19' 9" x 4' 4" x 7' 3"
Platform dimensions	4' 4" x 2' 6"
Rotation of the platform	110° (±55°)
Slewing	360°
Gradeability	45% (25°)
Dimensions w/o platform, L x W	17' 3" x 4' 1"
Outrigger support dimensions	13' 5" x 13' 5"
Max. slope for outriggers	25 % (14°)
Weight	6500 lbs
Engine	Kubota 21 hp diesel or 110 V / 2.2 kW electric
Drive system: hydraulic	tracks
Max. drive speed	1.9 mph

Leguan 190.



190

62 ft
max. working height

32 ft
max. side reach

507 lbs
max. lift capacity

Robust and steady spider lift with all-terrain capabilities.

LEGUAN 190 is an access platform designed for heavy duty professional and rental use. In the design of the spider lift, special attention has been paid to durability, excellent up-and-over clearance and user-friendly interface. Leguan 190 is the right choice for tree care, painters, construction work and facility maintenance.

High ground clearance and steady, protected tracked (or 4WD) base provide fast and smooth access on rough terrain. All Leguans are designed to be driven safely while standing in the basket to increase efficiency while transitioning on site. Many leading features such as the automatic leveling is standard, but operators can also opt for many optional features such as the extra speed for the fastest driving speed in the market.

190



Leguan 190.

Standard features.

- 14 hp Kubota diesel engine
- Automatic engine RPM control
- Automatic levelling of the outriggers
- Proportional outreach monitoring system
- Electric rotation of the platform
- JIB-boom with 120-degree operating range
- 12 V power outlet on platform
- Electric and hand pump powered emergency lowering
- Controls on the ground with integrated service display
- 12 V booster points
- Signal horn

Optional features.

- 110 V electric motor + 110 V power outlet on platform
- Extra drive speed (max. 3.2 mph)
- Remote control for driving and outriggers
- LED spot lights for platform
- Tool trays on platform
- Outrigger beacons
- Hose to platform (air/water)
- Engine heater
- Larger plates for outriggers
- Non-marking tracks / tyres
- Narrow single person platform
- Leguan special trailer

Technical features.

Max. lift capacity	507 lbs (2 persons)
Max. working height	62' 4"
Max. platform height	55' 9"
Max. outreach	26' 7" (507 lbs) – 32' 2" (265 lbs)
Transport dimensions, L x W x H	16' 9" x 4' 4" x 6' 7"
Platform dimensions	4' 4" x 2' 6"
Rotation of the platform	90° (±45°)
Slewing	360°
Gradeability	40% (22°)
Dimensions w/o platform, L x W	14' 7" x 4' 1"
Outrigger support dimensions	11' 10" x 12' 1"
Max. slope for outriggers	21% (12°)
Weight	5,865 lbs
Engine	Kubota 14 hv diesel or 110 V / 2.2 kW electric
Drive system: hydraulic	4WD / tracks
Max. drive speed	1.6 mph or 3.2 mph

Avant Tecno Usa Inc.

1450 E Algonquin Rd,
Arlington Heights IL 60005

Tel. 847 380 9822

Fax. 847 380 9823

www.avanttecno.com/us



LEGUAN[®]

Leguan Lifts Oy.

Ylötie 10,
33470 Ylöjärvi
FINLAND

www.leguanlifts.com